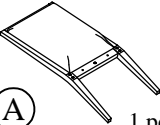
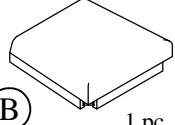


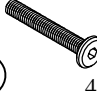
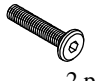
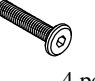





#50358
UPH Side Chair 2 in

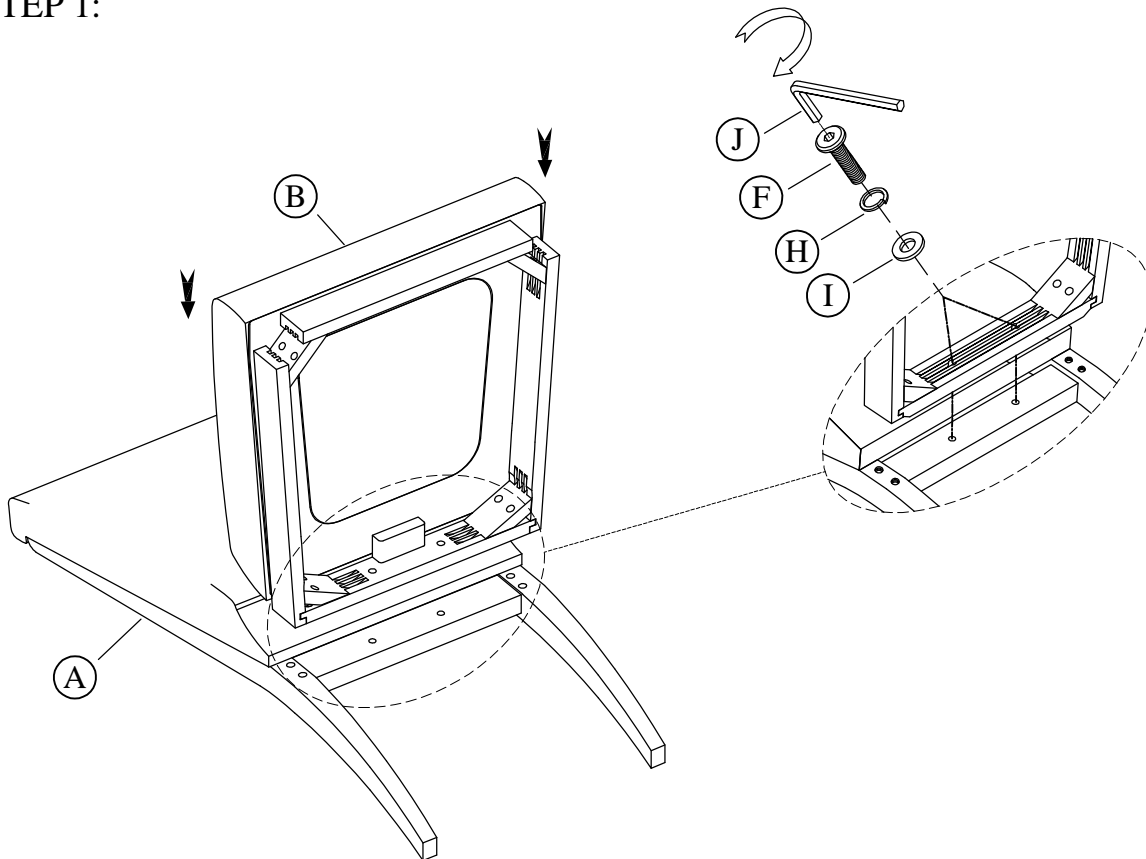
Warning :

- Be sure to check all packing material carefully for small parts, which may have come loose inside the carton during shipment.
- To prevent possible scratches and damage, this furniture must be assembled on a soft surface such as a blanket or carpet.

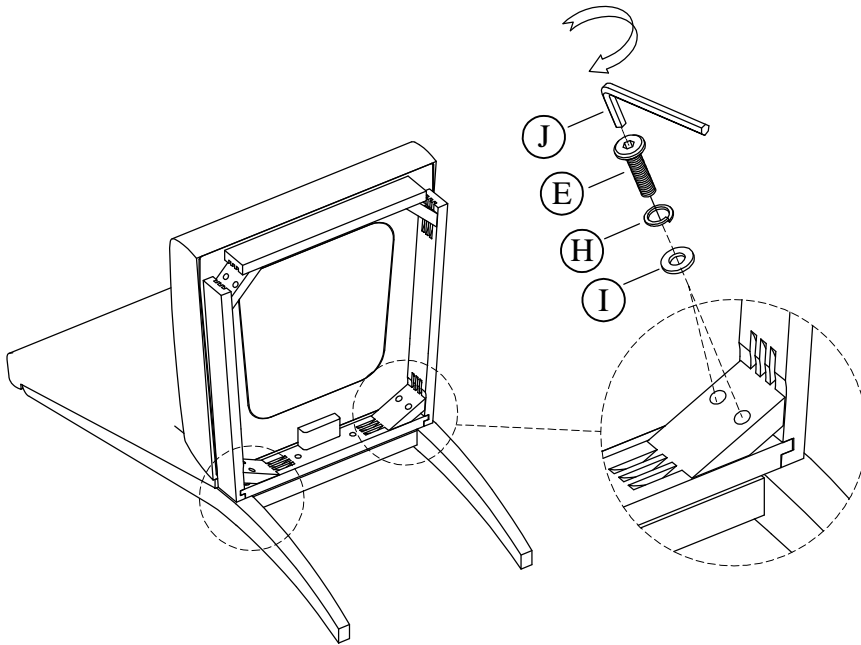
Components and Hardware List

<p>Back Chair</p>  <p>A 1 pc.</p>	<p>Seat Cushion</p>  <p>B 1 pc.</p>	<p>Front Leg (Left)</p>  <p>C 1 pc.</p>	<p>Front Leg (Right)</p>  <p>D 1 pc.</p>	<p>Allen Head Bolt Ø5/16"-18 x 3-1/8"</p>  <p>E 4 pcs.</p>
<p>Allen Head Bolt Ø5/16"-18 x 1-3/4"</p>  <p>F 2 pcs.</p>	<p>Allen Head Bolt Ø5/16"-18 x 2-1/8"</p>  <p>G 4 pcs.</p>	<p>Spring Washer Ø5/16"</p>  <p>H 10 pcs.</p>	<p>Flat Washer Ø5/16" x 19*2mm</p>  <p>I 10 pcs.</p>	<p>Allen Key 5mm</p>  <p>J 1 pc.</p>

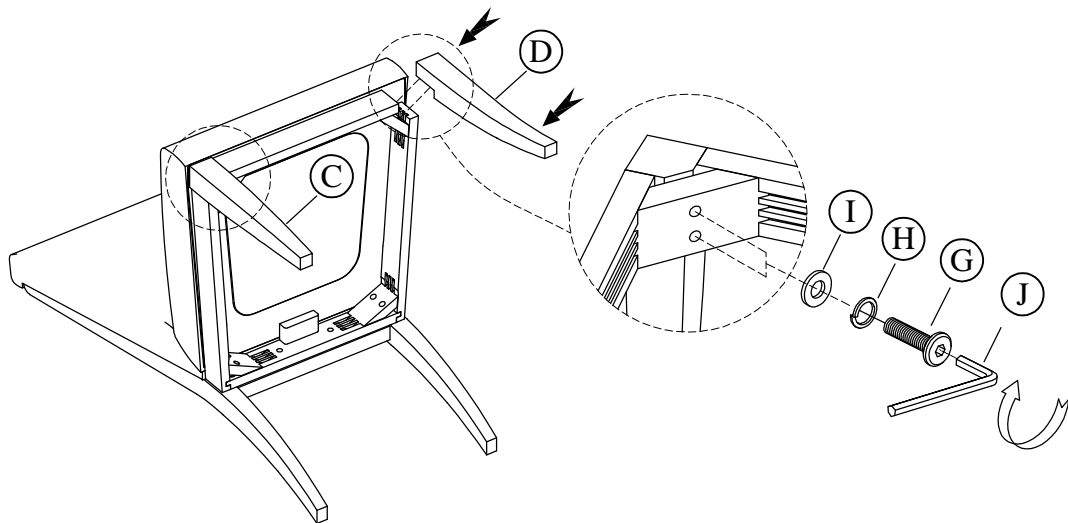
STEP 1:



STEP 2:



STEP 3:



Complete

